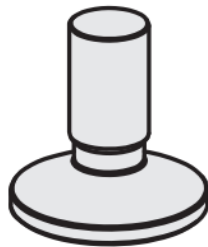


Technical Data Sheet Sigma 8 Pro

Accessoires Sigma 8 Pro



Product name:
THREADED ANCHOR S8 Pro

Material:
Stainless steel V4A - 1.4401

Dimension:
6x15 mm

Description:
Threaded screw T30
including washer
Metric thread M6

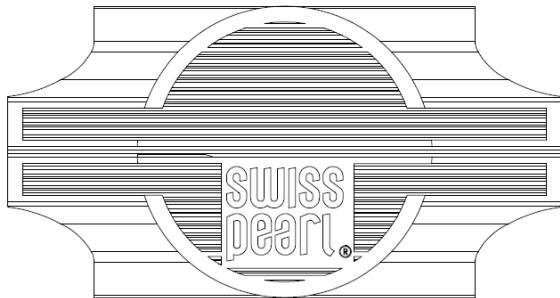


Product name:
HEXAGON NUTS

Material:
Stainless steel V4A

Dimension:
D1=M6, d2max=14.2 mm
hmax=6 mm

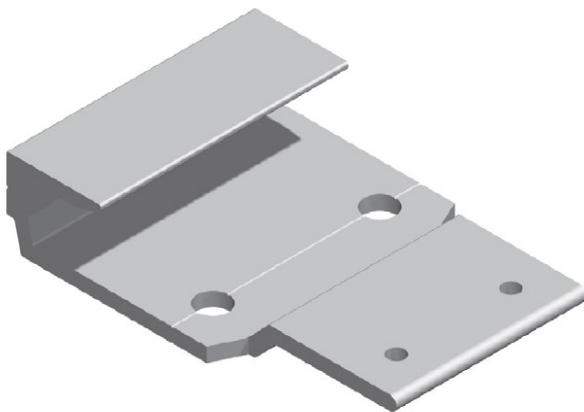
Description:
Nut with an M6 flange
DIN 6923 und ISO 4161 with
teeth
Class of resistance: 8



Product name:
SPACER Sigma 8 Pro

Material:
Plastic PA 12 G

Description:
Distance spacer
Color: RAL 3000 / NCS S 1580-Y90R

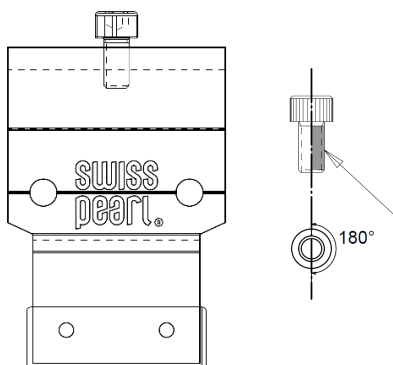


Product name:
PANEL CLIPS S8 Pro

Material:
Alu F25 (Vital-050.61, EN AW 6063 T66)

Dimension:
77.4 x 17.5 x 40 mm

Description:
Panel Clips for fibre cement panels
The aluminium is partially moulded with TPE 65° Shore Black



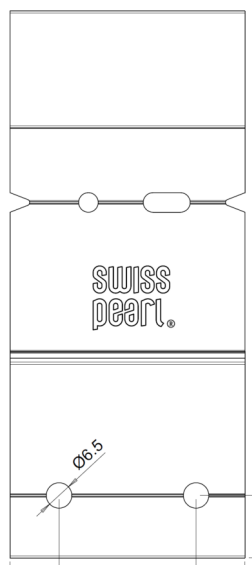
Product name:
PANEL CLIPS S8 Pro with adjustment

Material:
Alu F25 (Vital-050.61, EN AW 6063 T66)

Dimension:
77.4 x 17.5 x 40 mm

Description:
Panel Clips S8 Pro for fibre cement panels
The aluminium is partially moulded with TPE 65° Shore black
The panel is adjusted according to the drawing

05.03.2020 AG
Threaded hole for M6x12
mm cylinder screws with
hexagon socket A2 without
shank,
DIN 912¹ with screw lock
precote 10, 180° on thread

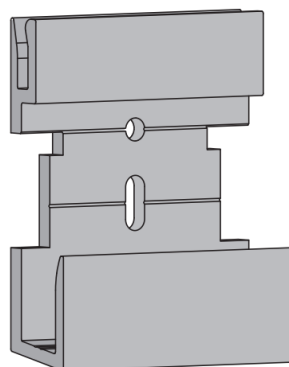


Product name:
OMEGA CLEATS S8 Pro

Material:
Alu F25 (Vital-050.61, EN
AW 6063 T66) Blank

Dimension:
140 X 20 X 60 mm

Description:
Installation on the panels, in
the horizontal joint area
Ensure optimal behavior
and durability of the panels.

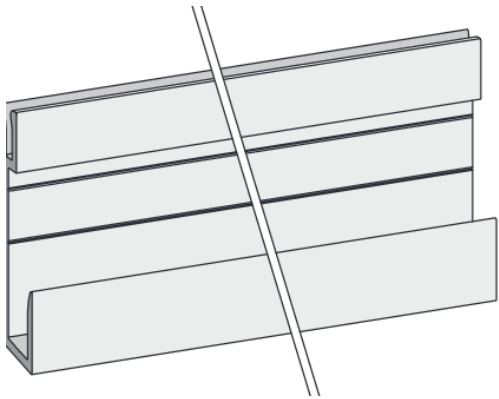


Product name:
U-CLEATS S8 Pro

Material:
Alu F25 (Vital-050.61, EN
AW 6063 T66) anodized

Dimension:
75.9 x 9.5 x 20 mm

Description:
Installation on the subframe
structure
Symmetrical / Asymmetrical

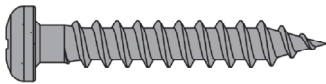


Product name:
U-Profiles S8 Pro

Material:
**Alu F25 (Vital-050.61, EN
AW 6063 T66) anodised**

Dimension:
Length 3000mm

Description:
**Profile for SIGMA 8 Pro
Black**



Product name:
SCREW SR2 S8 Pro

Material:
Stainless steel A2 (1.4301)

Dimension:
**4.8 x 30 mm
4.05 +/- 0.05 mm**

Description:
**For timber substructure
Black**



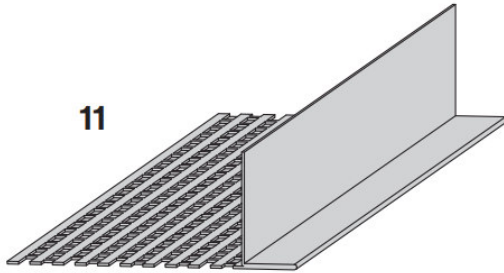
Product name:
RIVET S8 Pro

Material:
**Rivet sleeve A4 rivet thorn
A4 (1.4401)**

Dimension:
**4.8 x 12 Kopf 9.4 x 1.5 mm
(rivet pin 75 mm)**

Description:
**For Alu- and steel
subconstructions
Black**

11

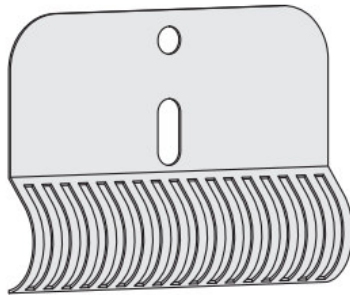


Product name:
Ventilation profile S8 Pro

Material:
Aluminium 0.8 mm
Anodised

Dimension:
Length 2500 (30 x 80) mm

Description:
For base details
Blank, perforated

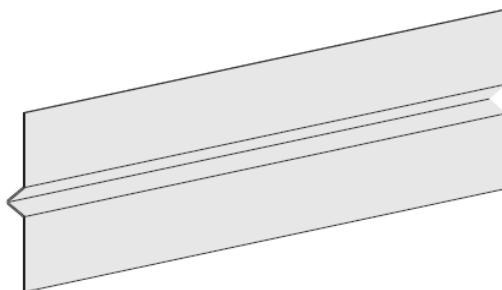


Product name:
Panel fixing piece K S8

Material:
spring steel
1.4310 / roh 0.4 mm

Dimension:
50 x 70 mm

Description:
To avoid shifting of panels



Product name:
Joint-sealing sheet

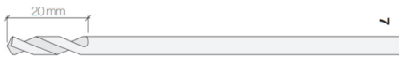
Material:
Aluminium 0.5 mm

Dimension:
Length 3050 mm
V- Stamping: 10x6 mm

Description:
Optional for horizontal joint
Deep black RAL 9005



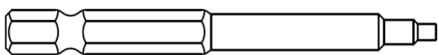
Product name:
Torque wrench Sigma 8



Product name:
Drill bit

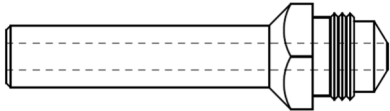
Dimension:
Ø 4.9 x 132 mm

Description:
Typ A for aluminium
Typ S for steel



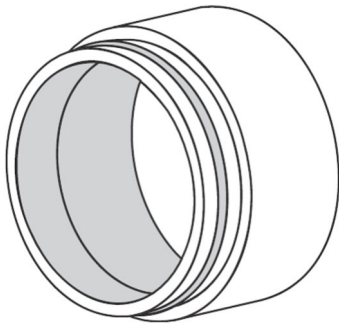
Product name:
Bit socket SR2 S8

Dimension:
Bit socket SR2x68-HEX-1/4"
Shank Ø 6.2 mm total length
68 mm



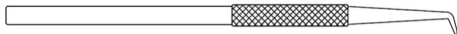
Product name:
NOSEPIECE S8 for Gesipa

Dimension:
Nosepiece 17/32 special
length 25 mm



Product name:
Elongation SIGMA 8
for AccuBird / PowerBird
rivet mandrel containers

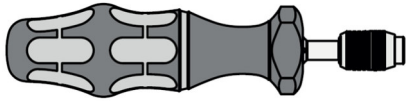
Dimension:
Ø 54/59.5 x 60/66mm / 39mm



Product name:
Stainless steel multi-
purpose tools

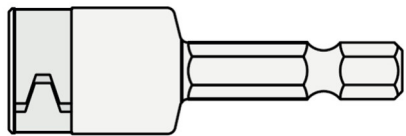
Material:
stainless steel AISI 410

Dimension:
155 mm



Product name:
torque screwdriver 1.2 – 3.0
Nm ergonomic handle
Quick change chuck for bits
with 1/4"

Description:
External hexagon according
to DIN 3126 form C + E
Accuracy $\pm 6\%$ according to
DIN EN ISO 6789



Product name:
Socket wrench inserts
3869/4

Material:
Stainless steel

Dimension:
7x50 mm

Description:
Non-magnetic with holding
fields
For hexagon head screws
With connection hexagon
1/4"
According to DIN 3126-F 6.3
ISO 1173
