



Originally Issued: 11/02/2020

Revised: 11/10/2025

Valid Through: 11/30/2026

SWISSPEARL® GROUP AG

Eternitstrasse 3
CH-8867 Niederurnen
Zurich, Switzerland
+ (41) 55 617 11 11
www.swisspearl.com

SWISSPEARL® FIBER-CEMENT PANEL SYSTEM

CSI Section:

07 46 46 Fiber-Cement Siding

1.0 SCOPE OF LISTING

1.1 Compliance with the following Standards:

- Testing Application Standard (TAS) 202-94 Criteria for Testing Impact and Nonimpact Resistant Building Envelope Components Using Static Air Pressure (2020 Florida Building Code Test Protocol - HVHZ)
- Testing Application Standard (TAS) 203-94 Criteria for Testing Products Subject to Cyclic Wind Pressure Loading (2020 Florida Building Code Test Protocol - HVHZ)

1.2 Properties Assessed:

- Impact Resistance, Static Air Pressure, Cyclic Wind Pressure

2.0 FINDINGS

2.1 General: The Swisspearl® Fiber-Cement Panel System consists of Swisspearl® Fiber-Cement Panels attached with visible fasteners to metal brackets which are attached to aluminum track.

2.1.1 Swisspearl® Fiber-Cement Panels: The Swisspearl® Fiber-Cement Panels are nominally 8 mm (0.31 inch) thick, available in widths up to 1250 mm (49.2 inches) and lengths up to 3070 mm (121 inches). The assembly evaluated is described in Section 4.2 of this report.

2.2 Impact, Design Pressure, and Cyclic/Fatigue Loading: The Swisspearl® Fiber-Cement Panel System, when installed in accordance with Section 4.0 of this report, has the following performance as described in this report:

The assemblies described in Section 4.2 are exempt from the impact, TAS 201 testing requirements defined in Miami-Dade County Checklist for the Approval of Fiber Cement Siding and Soffits (#0215), as the assembly includes 5/8-inch thick plywood and studs thicker than No. 18. gauge.

The uniform static design pressure as defined in TAS 202 is 95 psf. The cyclic/fatigue loading sequence design loading is 95 psf as defined in Section 4.1 of TAS 203.

3.0 LIMITATIONS

The Swisspearl® Fiber-Cement Panel System as described in this report is recognized as conforming to TAS 202 and 203 with the following limitations:

3.1 The Swisspearl® Fiber-Cement Panel System shall be manufactured, identified, and installed in accordance with this report. In the event of a conflict, this report governs.

3.2 The Swisspearl® Fiber-Cement Panel System as referenced in this report is to be labeled with reference to IAPMO UES ER-551.

3.3 The Swisspearl® Fiber-Cement Panel System recognized in this report is produced in Niederurnen, Switzerland.

4.0 INSTALLATION

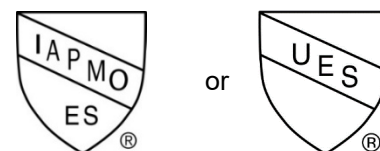
4.1 General: The manufacturer's published installation instructions and this listing shall be strictly adhered to. A copy of the instructions and this listing report shall be available at all times on the jobsite during installation.

4.2 Assembly: Two assemblies have been evaluated, with supports spaced at 15½-inch on-center spacing and 13⁵/₁₆ inch (338 mm) on-center spacing. See Figure 1 (15½ (394 mm) inch spacing) and Figure 2 (13⁵/₁₆ inch (338 mm) spacing) of this report for a complete description of the assemblies tested to the standards as defined in Section 1.1 of this report. Swisspearl® Fiber-Cement Panels are fastened to Z-Channel profiles with 3/16-inch diameter 4x18 SFS stainless steel rivets spaced as shown in Figure 1 and Figure 2 of this report.

5.0 IDENTIFICATION

The Swisspearl® Fiber-Cement Panel System is identified by a label affixed on product packaging. The label shall include the company name (Swisspearl AG Group), product name, listing report number (UEL-5048), and name of the inspection agency (IAPMO QCC).

Either IAPMO UES Mark of Conformity may also be used as shown below:



IAPMO UES UEL-5048

The product described in this Uniform Evaluation Service (UES) Report has been evaluated as an alternative material, design or method of construction in order to satisfy and comply with the intent of the provision of the code, as noted in this report, and for at least equivalence to that prescribed in the code in quality, strength, effectiveness, fire resistance, durability and safety, as applicable, in accordance with IBC Section 104.11. This document shall only be reproduced in its entirety.

Produced by International Association of Plumbing and Mechanical Officials. All rights reserved. Printed in the United States. Ph: 1-877-4IESRPT • Fax: 909.472.4171
web: www.uniform-es.org • 4755 East Philadelphia Street, Ontario, California 91761-2816 – USA





6.0 SUBSTANTIATING DATA

Test reports from an ISO 17025 accredited laboratory in accordance with TAS 202 and TAS 203.

7.0 STATEMENT OF RECOGNITION

This listing report describes the results of research completed by IAPMO Uniform Evaluation Service on Swiss Pearl Group AG's Swisspearl® Fiber-Cement Panel System to assess conformance to the standards shown in Section 1.0 of this report and serves as documentation of the product certification. Products are manufactured at the location noted in Section 3.3 of this report under a quality control program with periodic inspection under the supervision of IAPMO UES.

For additional information about this listing report please visit www.uniform-es.org or email us at info@uniform-es.org



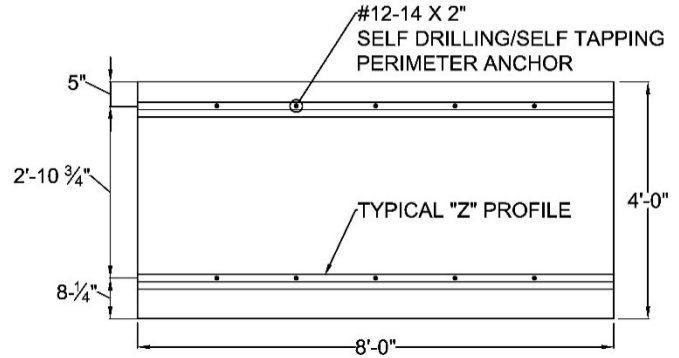
LISTING REPORT

Number: UEL-5048

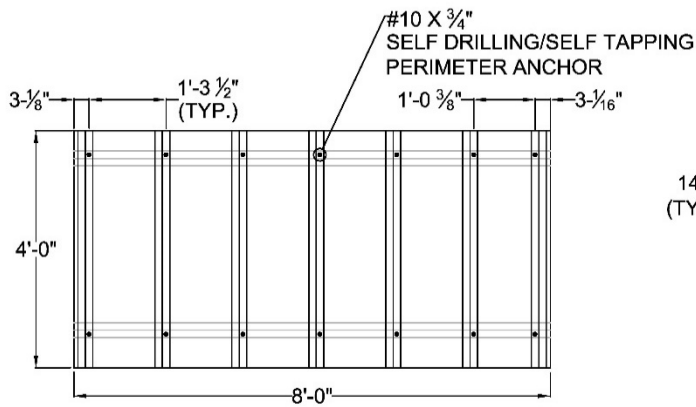
Originally Issued: 11/02/2020

Revised: 11/10/2025

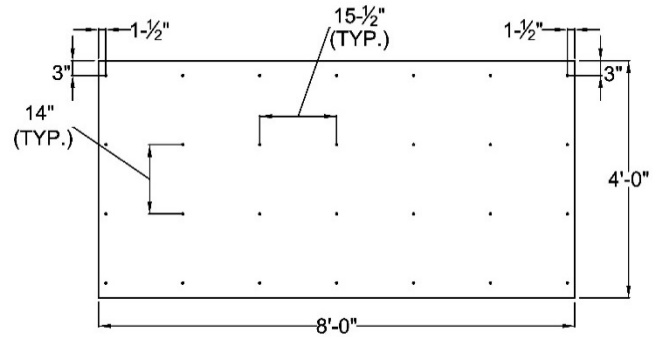
Valid Through: 11/30/2026



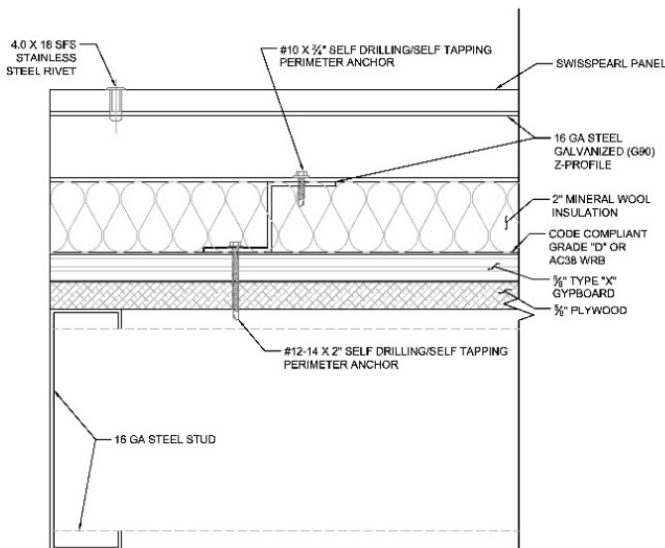
SUB-FRAMING



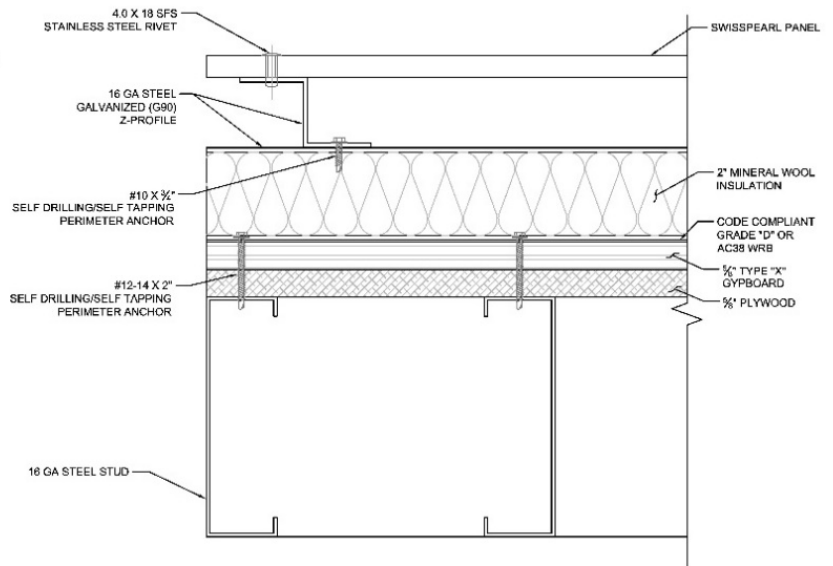
Z-PANEL SUBFRAME



SWISSPEARL PANEL



SWISSPEARL PLAN DETAIL (4' SIDE)



SWISSPEARL PLAN DETAIL (8' SIDE)

FIGURE 1 - 15 1/2 INCH SUPPORT SPACING ASSEMBLY



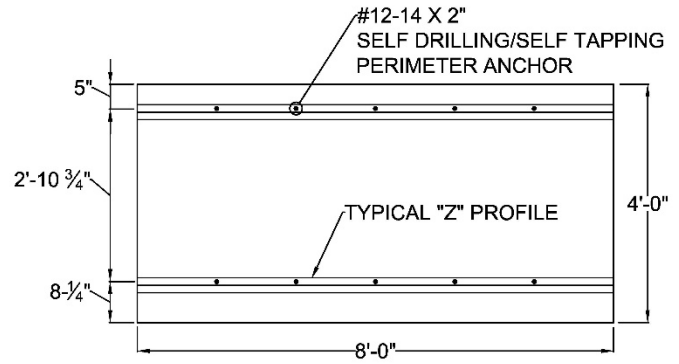
LISTING REPORT

Number: UEL-5048

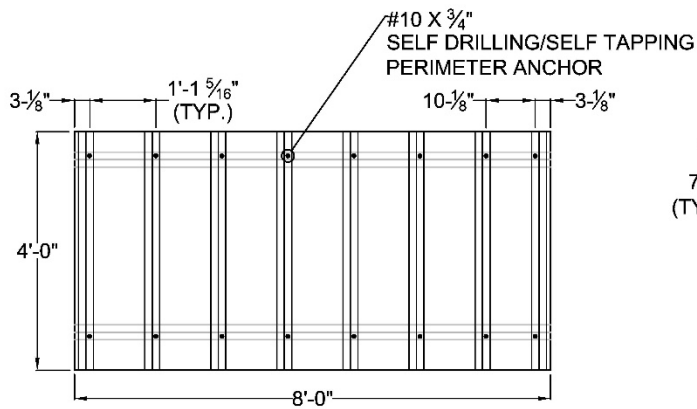
Originally Issued: 11/02/2020

Revised: 11/10/2025

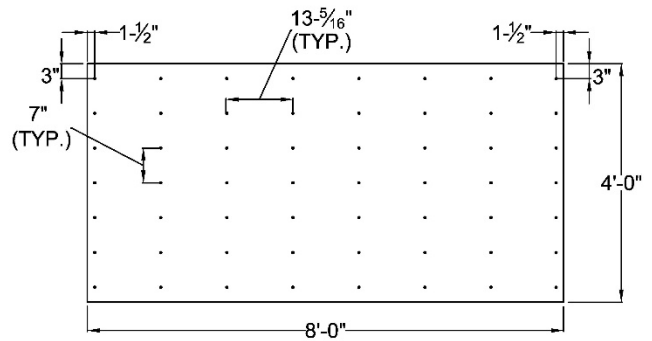
Valid Through: 11/30/2026



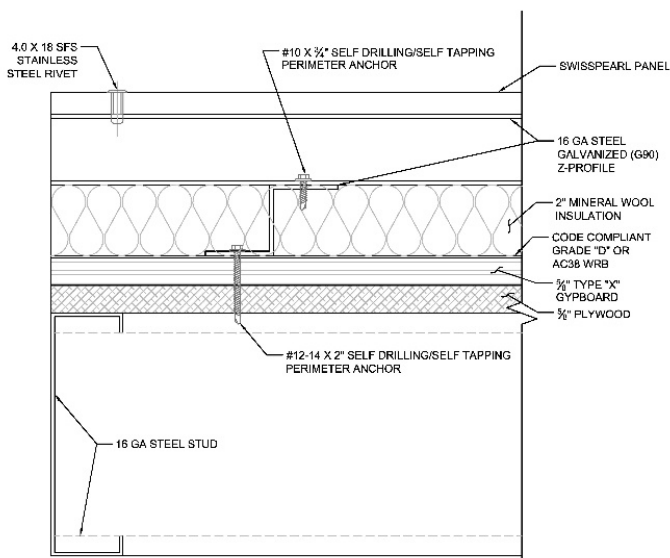
SUB-FRAMING



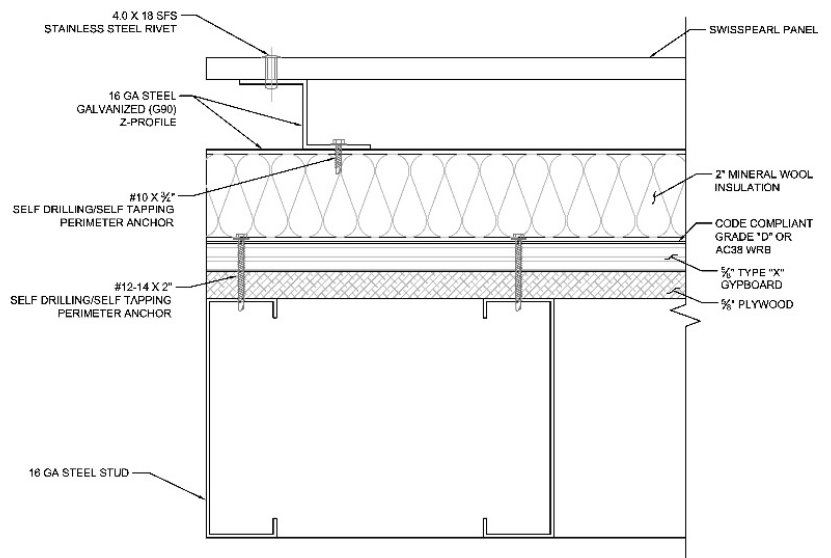
Z-PANEL SUBFRAME



SWISSPEARL PANEL



SWISSPEARL PLAN DETAIL
(4' SIDE)



SWISSPEARL PLAN DETAIL
(8' SIDE)

FIGURE 2 - 13⁵/₁₆ INCH SUPPORT SPACING ASSEMBLY